

# Medium-intensity Type B L864 Aviation Obstruction Light AH-MI/B



This Medium-intensity Type B L864 Aviation Obstruction Light flashing red color, designed for marking top of obstacle which height is between 45 to 105 meters.

Ultra high intensity LED is used for the light source ensure the long life experience and good performance. Self-designed lens converging light to very small vertical divergence 3° make it totally compliance with ICAO standard.



### Compliance

- ICAO Annex 14 Volume 1, Sixth edition, 2013, table 6.3 Medium Intensity Type B Obstruction Light
- FAA L-864

### Features

#### Electrical

- CREE ultra high intensity LED as light source saving power consumption and maintenance than incandescent light or halogen lamp
- Power supply available in 12VDC, 48VDC, 110VAC, 240VAC

#### Physical

- Unique design and UV protected polycarbonate lens for converging light
- UV protection Powder coated bright yellow color base make better visibility
- Base material is die casting aluminum which has strong corrosion resistance, Shock and Vibrations protection

#### System design

- Built-in photocell for day/night operation(dusk to dawn operation)
- Surge and lightning protection

#### Optional

- Alarm contact for remote monitoring
- GPS synchronization

### Application

- AH-MI/B medium-intensity light is used on the top of the High-rise Building, High Chimney, marking towers (Telecom, GSM, Microwave & TV), High Pole, Tower Crane, Wind Turbine, etc when the obstacle height is 45-105meter, and most time work with low intensity lights installed on the lower place.

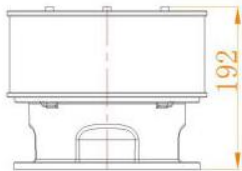


### APPLICATION

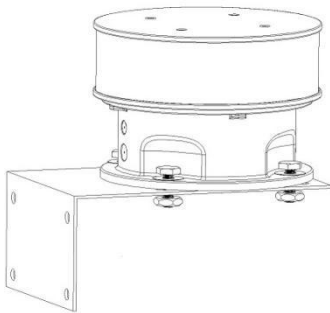


# Medium-intensity Type B L864 Aviation Obstruction Light **AH-MI/B**

## Dimension



## Installation



(Mounting bracket is charged separately,  
and size is customized)



## SPECIFICATIONS

### AH-MI/B Medium-intensity Type B L864 Aviation Obstruction Light

#### Light Characteristics

Light Source	High intensity LED
Available Colors	Red
Intensity(cd)	2000cd ± 25%
Horizontal Output(degrees)	360
Vertical Divergence(degrees)	3
Flash Characteristics	20-60 flashes per minute
Operation Mode	Dusk-to-dawn Automatically as standard. 24hours operation as option

#### LED Life Experience(hours)

>100,000

#### Electrical Characteristics

Operating Voltage	12VDC, 48VDC, 110VAC, 240VAC
Power(W)	13
Circuit Protection	Integrated

#### Physical Characteristics

Body Material	Polycarbonate
Base Material	Powder-coated Die-casting aluminum
Mounting	190×190×Ø12
Dimension(mm)	236×236×192
Weight(kg)	5
Product Life Expectancy	5 years Plus

#### Environmental Factors

Humidity	0%-100%
Wind Speed	80m/s
Waterproof	IP66

#### Compliance

ICAO	Annex 14 Volume 1, 'Aerodrome Design and Operations' Sixth edition 2013, table 6.3 Medium-intensity Type B Red Obstacle Light
FAA	L-864

#### Options Available

GPS sync flashing
Dry contact alarm output